



PowerShield Rack Mount Rail Kit (PSRK)

Installation Guide

This installation guide contains safety and installation instructions for the PowerShield Rack Mount Rail Kit.

Please read and follow the instructions step by step to secure your rack mount UPS to your rack system.

WARNING! Handling Safety

 PLEASE Do not lift heavy loads without assistance.



Very Important !

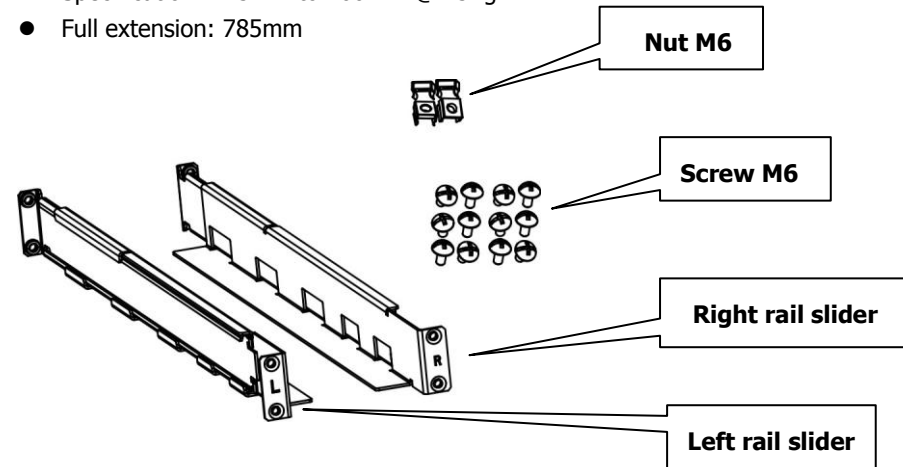
The warranty of this product is 2 years.
In order to validate the product warranty, it is essential that you register your product on line.

Please visit PowerShield online at

www.PowerShield.com.au.product-registration.php

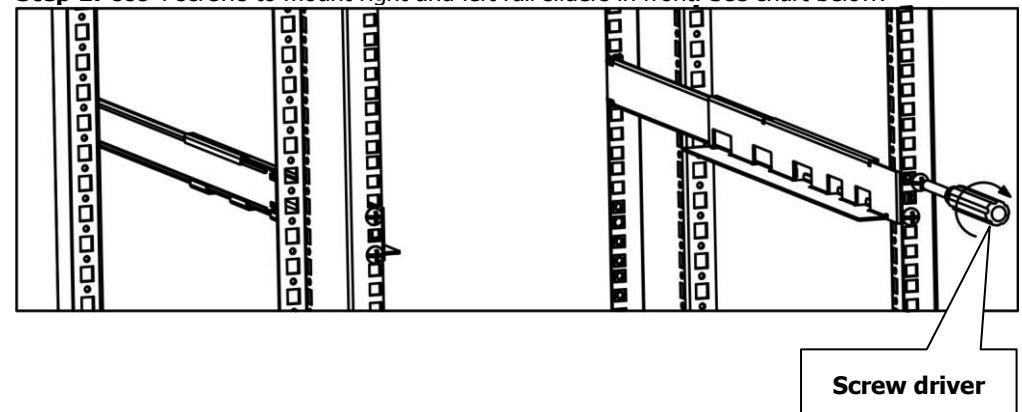
1 Package Contents

- Left rail slider x 1 and Right rail slider x 1
- Nut M6 x 2
- Screw M6 x 12
- Specification: 475mm to 700mm @ 75Kg
- Full extension: 785mm

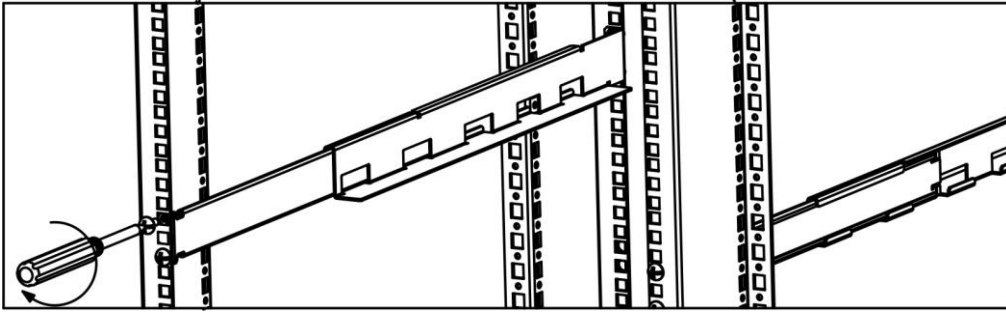


2 Assembly Steps

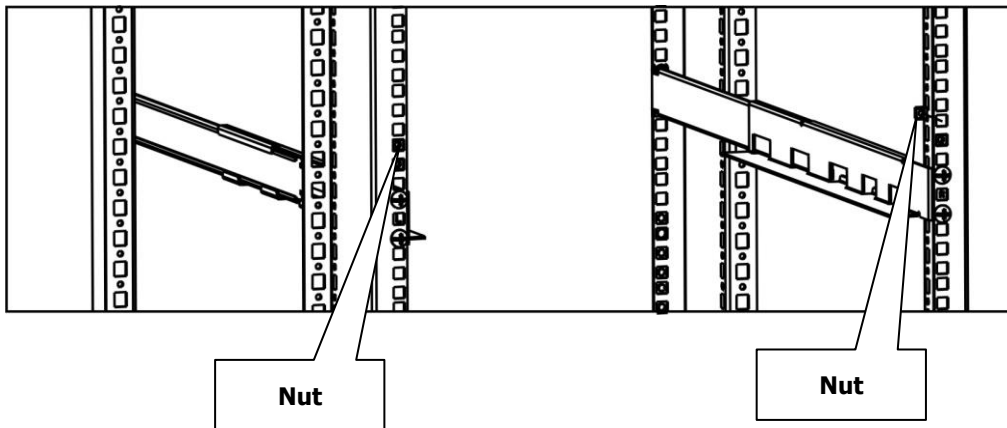
Step 1: Use 4 screws to mount right and left rail sliders in front. See chart below:



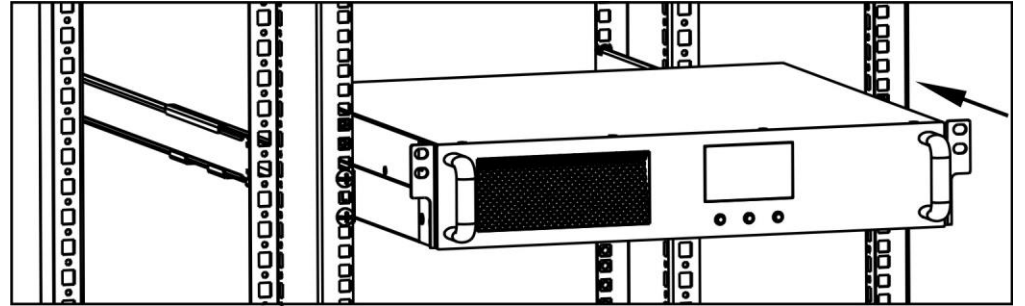
Step 2: Use 4 screws to mount rail sliders in back. See chart below:



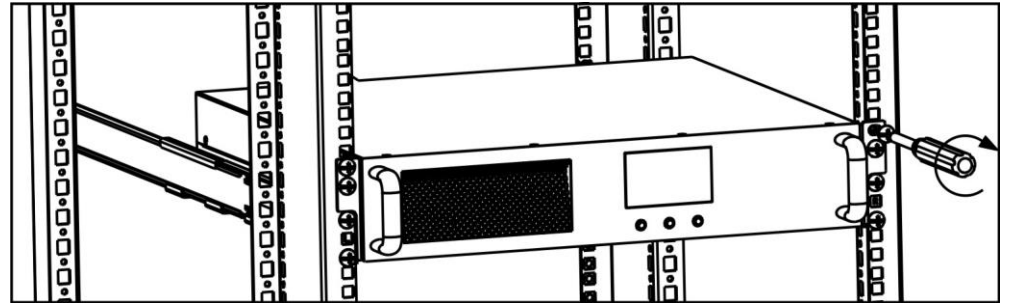
Step 3: According to UPS height, put nuts on proper location.



Step 4: Put UPS on the rail support



Step 5: Fix the UPS in position with screws



Step 6: Assembly complete

