

Network Management Cards



While PowerShield UPSs do their job of holding up critical electronic equipment, behind the scenes PowerShield proprietary software and management cards are there to record critical power events so that managers can be aware and informed of problems in real time. The software solutions allow for automatic graceful shutdown of programs and devices if power outages last longer than their nominated time.

When remote or networking UPS communications are required, network or relay communications are available as optional PSSNMP, PSModbus and PSAS400.

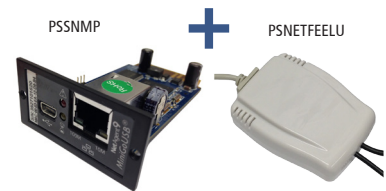
SNMP Card

The **SNMP** (Simple Network Management Protocol) card allows the UPS to be directly connected to the network without the need of a local computer. Furthermore, the SNMP card contains an integrated web server CPU allowing the user to view and control the UPS with any standard internet browser.



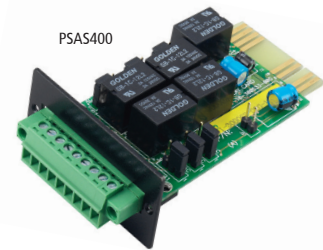
PSNETFEELU

The **PowerShield Environmental Monitoring Device** (PSNETFEELU) is suited for monitoring temperature, humidity and water ingress *and is to be used together with the SNMP Card*. Email alerts and or system shutdown can be initiated if the user defined thresholds are exceeded.



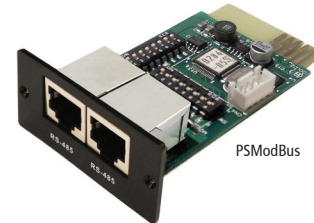
Relay Card

The **Relay Card** (PSAS400) provides VFC – (Volt Free Contact) relays that change state upon UPS events. This type of card is often used when current loop communications are required for devices such as, BMS (Building Management Systems), Access Control Alarm Panels or Industrial PLCs.



Modbus Card

The **PowerShield Modbus Card** facilitates UPS communication with industrial and building management systems using the Modbus RTU Protocol. PSModbus card provides real time monitoring and control of multiple UPS's via the RS485 communications port.



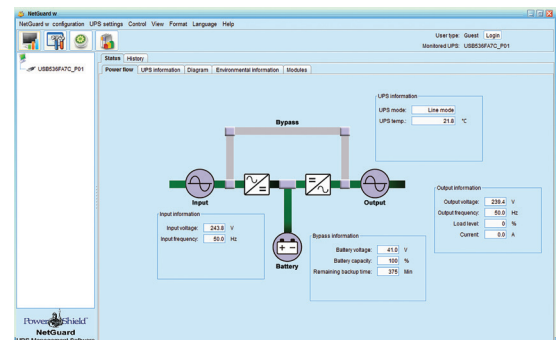
Power Shield Software



NetGuard®

NetGuard® is a sophisticated UPS management software application which is perfect for the SOHO user, right up to larger enterprises. NetGuard® can monitor and manage a UPS over the USB interface or serial Communications port. NetGuard® prevents data loss by safely shutting down computer systems during a prolonged outage. It also stores event history and can perform scheduled shutdowns of the UPS.

NetGuard® supports Windows, Linux and Mac.



DESIGNED BY AUSTRALIANS FOR AUSTRALIAN CONDITIONS

